

# 4" Recessed Gimbal Downlight Round



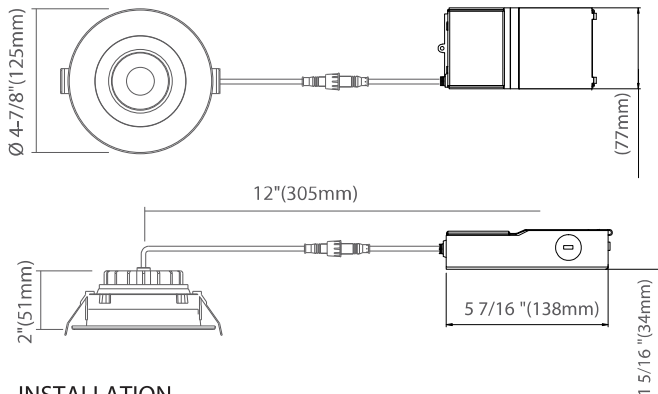
## Features

- \* Durable Aluminum body with adjustable gimbal
- \* Simple snap-in installation is fast and easy
- \* Tilting gimbal light source for directional lighting
- \* I.C. rated for direct contact with insulation
- \* Air Tight
- \* No housing required
- \* Input voltage: AC 120V 60Hz
- \* 10-100% dimming capability this fixture is compatible with industry standard TRIAC/ELV dimmers
- \* Lifespan - over 50,000 hours
- \* Suitable for WET LOCATION
- \* Pre-Select 5 CCT 2700K /3000K/3500K/4000K /5000K



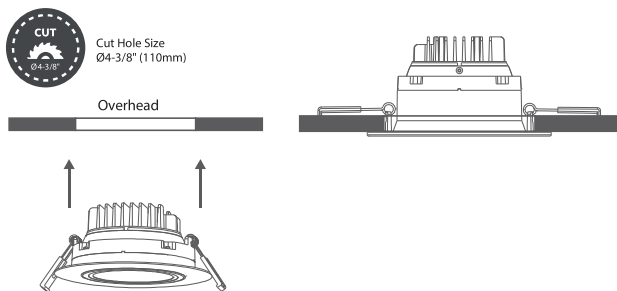
| SPECIFICATIONS       |  |
|----------------------|--|
| Model                | FDRGD-4-12W-5CCT-120V-BK-R                       |
| Watts                | 12W  |
| CRI                  | 90Ra+  |
| Color Temperature(K) | Pre-Select 5 CCT 2700K /3000K/3500K/4000K /5000K |
| Light Output(lm)     | 800lm  |
| Default Driver Input | AC120V,60Hz                                      |
| Dimming              | Triac Dimming 10-100%                            |
| Power Factor         | >0.9   |
| Approved Location    | Wet Location                                     |
| Air Tight            | Yes  |
| IC Rated             | Yes  |
| Operating Temp       | (-4°F~104°F) -20~40°C                            |
| Beam Angle           | 38°  |

## DIMENSION



| PACKAGE       |               |
|---------------|---------------|
| Weight.(g)    | 610g          |
| Qty/CTN (pcs) | 20pcs/CTN     |
| Box Dimension | 345*285*575mm |
| Gross Weight  | 13.7kg/CTN    |

## INSTALLATION



## INCLUDED IN BOX

4" Recessed Gimbal Downlight, Round



## OPTIONAL ACCESSORIES

|  |   |
|--|---|
| <p><b>Mounting Plate</b><br/>FD-MPBC-4 (SKU#101007)<br/>4-1/4" Round Pre-Mounting Plate For Builder's Choice Slim LED Round Fixtures</p> | <p>FD-UNMP (SKU#101078)<br/>Universal Mounting Plate, compatible with 2", 3", 3.5", 4" Light Panel and Downlights</p> |
|--|---|