

4" Recessed Gimbal Downlight Square

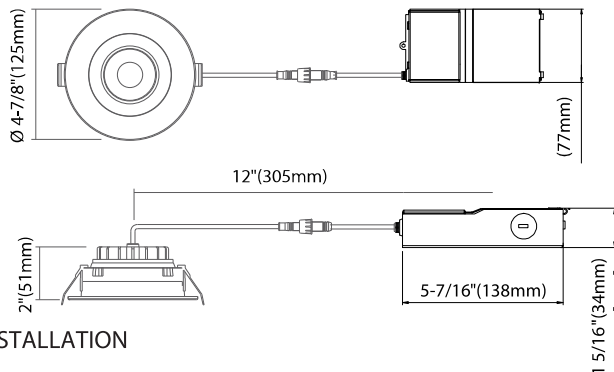


Features

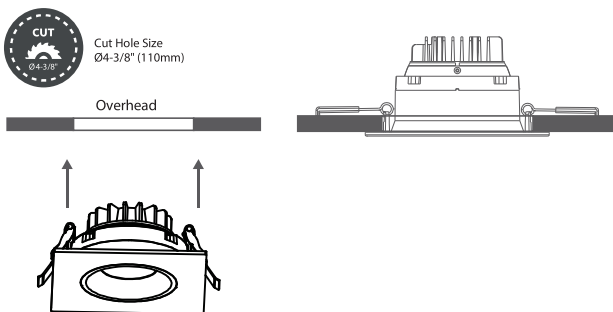
- * Durable Aluminum body with adjustable gimbal
- * Simple snap-in installation is fast and easy
- * Tilting gimbal light source for directional lighting
- * I.C. rated for direct contact with insulation
- * Air Tight
- * No housing required
- * Input voltage: AC 120V 60Hz
- * 10-100% dimming capability this fixture is compatible with industry standard TRIAC/ELV dimmers
- * Lifespan - over 50,000 hours
- * Suitable for WET LOCATION
- * Pre-Select 5 CCT 2700K /3000K/3500K/4000K /5000K



DIMENSION



INSTALLATION



SPECIFICATIONS	
Model	FDRGD-4-12W-5CCT-120V-BK-SQ
Watts	12W
CRI	90Ra+
Color Temperature(K)	Pre-Select 5 CCT 2700K /3000K/3500K/4000K /5000K
Light Output(lm)	800lm
Default Driver Input	AC120V,60Hz
Dimming	Triac Dimming 10-100%
Power Factor	>0.9
Approved Location	Wet Location
Air Tight	Yes
IC Rated	Yes
Operating Temp	(-4°F~104°F) -20~40°C
Beam Angle	38°

PACKAGE	
Weight.(g)	630g
Qty/CTN (pcs)	20pcs/CTN
Box Dimension	345*285*575mm
Gross Weight	13.8kg/CTN

INCLUDED IN BOX

4" Recessed Gimbal Downlight, Square



OPTIONAL ACCESSORIES

	Mounting Plate FD-MPBC-4 (SKU#101007) 4-1/4" Round Pre-Mounting Plate For Builder's Choice Slim LED Round Fixtures		FD-UNMP (SKU#101078) Universal Mounting Plate, compatible with 2", 3", 3.5", 4" Light Panel and Downlights
--	---------------------------------------------------------------------------------------------------------------------------------------	--	---------------------------------------------------------------------------------------------------------------------