

LED Highbay UFO Pro-Series



Key Feature

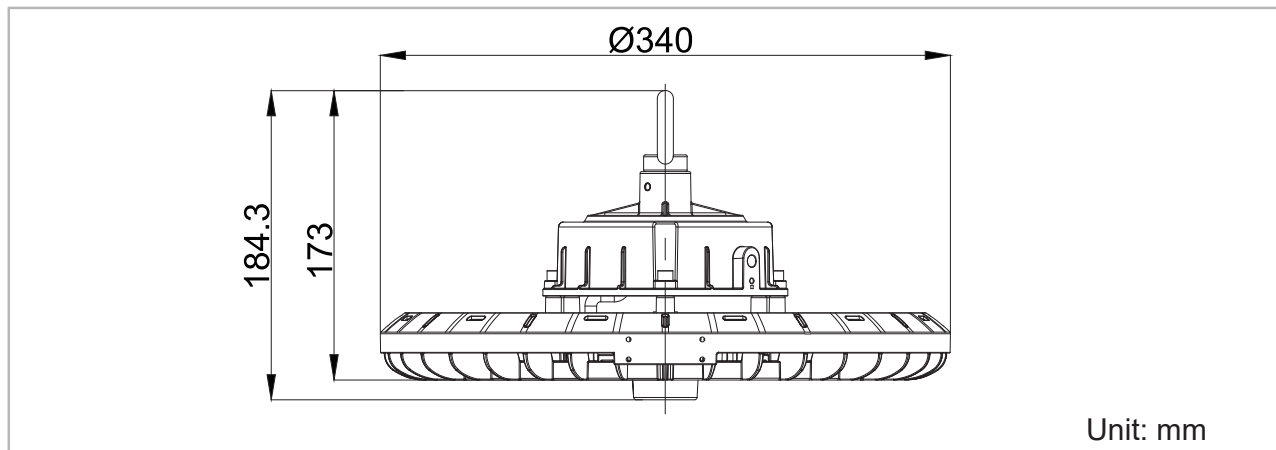
- Die-cast aluminium heat-sink
- Surge Protection: 6KV
- IK10 PC lens
- Suitable for wet locations IP65 Rated
- High efficacy > 150Lm/W
- Beam angle 120°
- Suspension loop and 8.5 ft power cord (SKU#101353)
- Suspension loop and 10 ft power cord (SKU#101354 & 101355)
- 0-10V Dimming
- Lifespan >50000 hours
- Optional Accessories:
 - Reflectors
 - Rotatable Bracket,
 - Microwave Sensor
 - Programmable Controller



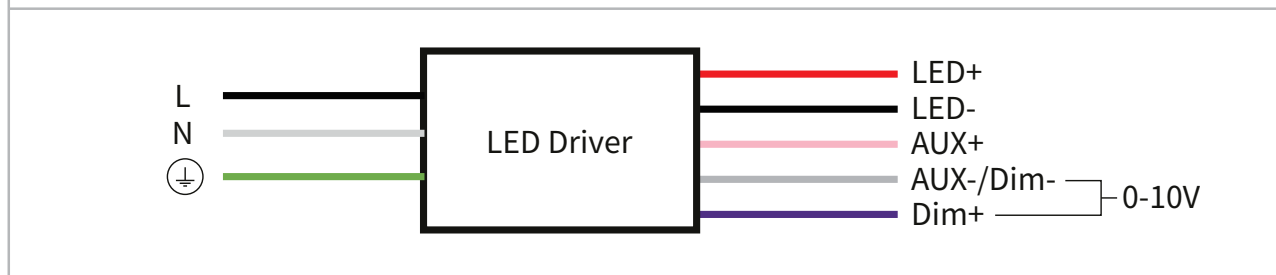
Optional Motion Sensor
Plug in



Dimension



Wiring Diagram



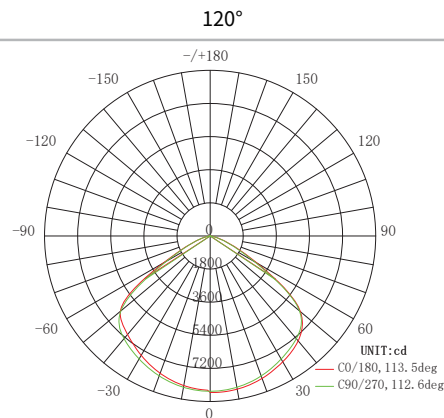
- Connect the LED high bay wiring to line wire, black-to-black, white-to-white and green-to-green. Purple and gray wires are for 0- 10V dimming and shall be capped with a wire nut (not provided) for each wire when not used. Use only UL listed wiring connectors 90°C (or greater) and UL listed wiring (90°C or greater).

LED Highbay UFO Pro-Series

Specifications

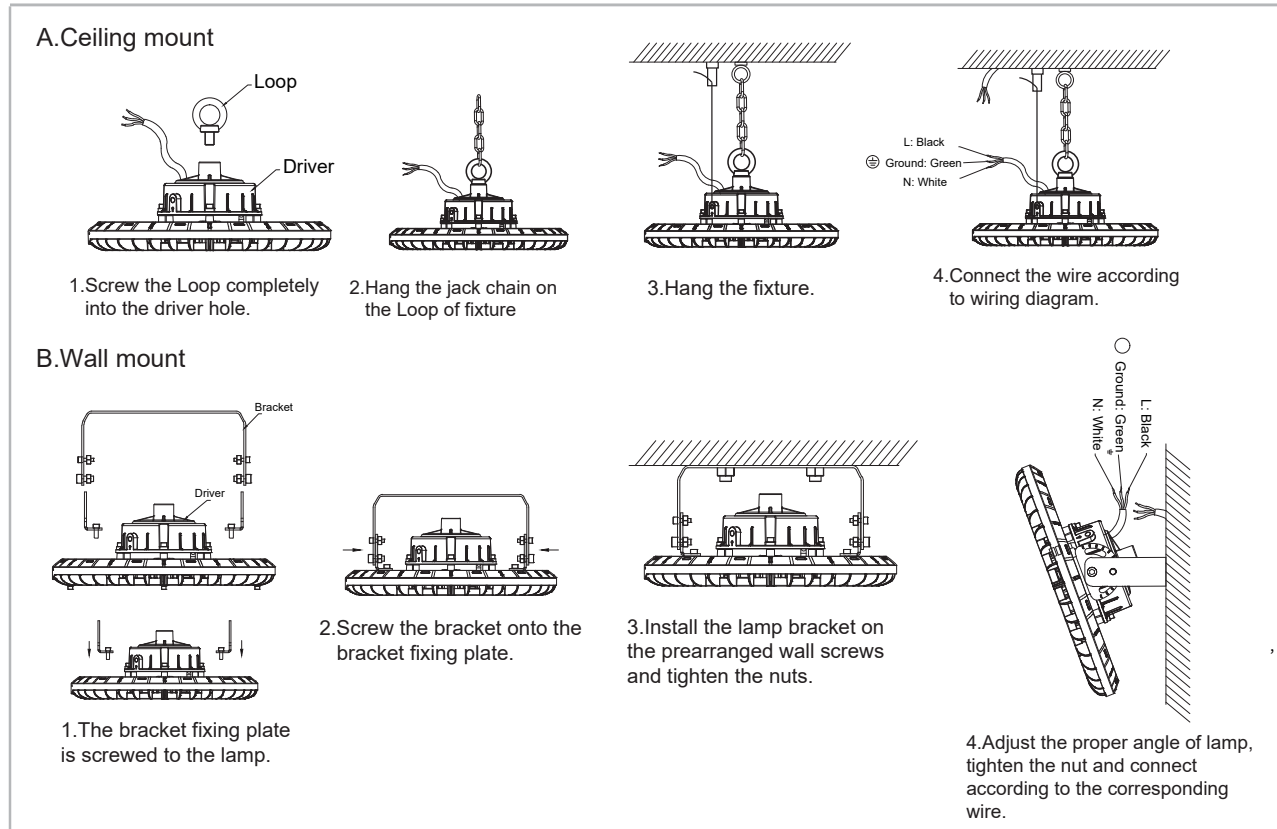
SKU	101353	101354	101355
Product No.	FDUFO-PRO-100W-5K-120-347-D	FDUFO-PRO-150W-5K-120-347-D	FDUFO-PRO-200W-5K-120-347-D
Wattage	100W	150W	200W
Lumen Output	16434 lms	21917 lms	29331 lms
Lumen Efficacy	164.4 lm/W	146.1 lm/W	146.6 lm/W
Total Harmonic Distortion (THD)	13.2%	13.1%	11.3%
Lamp size	340*173 mm (340*184 for sensor version)		
Voltage	AC 120-347V 50/60Hz		
Power factor	>0.9		
Certification	cULus, DLC 5.1 Premium		
Driver brand	SOSEN		
LED chip	SMD 2835		
CCT	5000K		
Color rendering index (CRI)	>80		
IP grade	IP 65		
IK level	IK 08		
Working temperature	-40°C~+50°C		
Package	1PCS/CTN		
Carton size	385*370*155mm		
Net weight	100/150W: 2.7kg, 200W: 3.0kg		
Gross weight	100/150W: 3.8kg, 200W: 4.9kg		
Lifespan (LED)	>50000Hr		
Installation method	Ceiling / Wall Mounting		
Lumen Maintenance	L70 Rating		

Light distribution curve

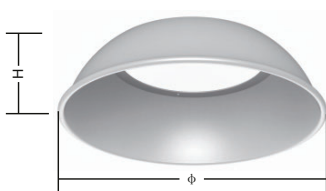




LED Highbay UFO Pro-Series

Installation Diagram (*Jack Chain and bracket are not included.)



Optional Accessories

Aluminum Reflector		Polycarbonate Reflector (Clear Len)		Rotatable Bracket
Φ	H	Φ	H	
460.0mm	121.5mm	415mm	235mm	
				
Microwave Sensor <ul style="list-style-type: none"> - motion sensor - programmable dimming 10%/30%/50% - daylight sensor 			Programmable Controller 