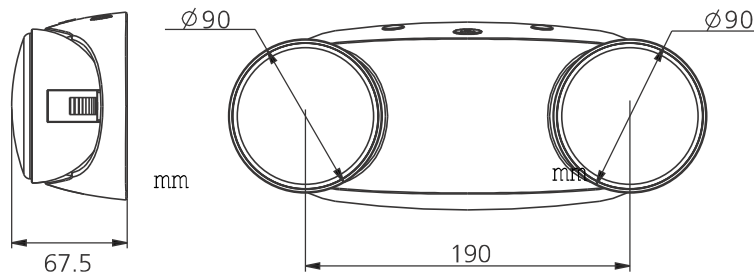


DUAL HEAD EMERGENCY LIGHT

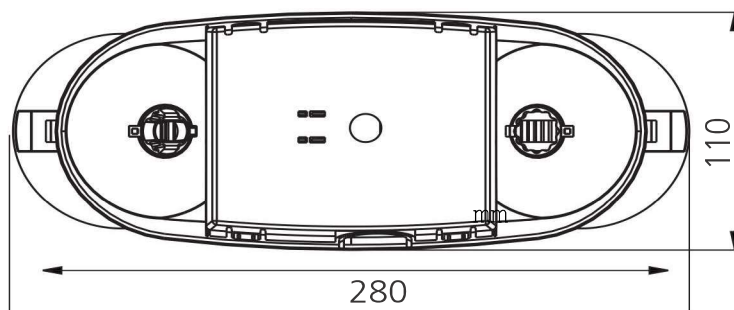
FEATURE

- Injection-molded thermoplastic ABS housing, UL 94V-0 flame rating.
- Innovative, easy installation in minutes.
- Suitable for wall mount applications.
- Universal J-box mounting pattern.
- 120V/277VAC Dual voltage operation.
- 2X12pcs ultra bright 2835 SMT LED lamp heads for emergency mode.

- Built-in 3.6V 1000mAh Nickel cadmium battery for minimum 90 minute emergency operation.
- Maximum 24 hours for full recharge time.
- Test switch and charge indicator.
- UL and cULus listed.
- 0° to 40° C indoor damp location listed.
- Five years warranty for the electrical parts and housing.
- Three years warranty for battery.



PACKING INFORMATION		
MODEL NO.	PACKING INFORMATION	WEIGHTS
100403	30X24X24.5cm/6pcs	3.2/2.2kgs



ELECTRICAL INFORMATION

MODEL	RATED VOLTAGE	INPUT CURRENT	INPUT WATT	LED TYPE	CHARGING TIME	EMERGENCY RUN TIME
100403	120/277V	0.020/0.010A	2W	Super bright SMD 2835	24 Hrs	90 Mins

DUAL HEAD EMERGENCY LIGHT