

## Initial Test

- It is normal for the SWITCH to take few minutes to turn off when first installed.
  - To test “turn on” during daytime, cover its eye with opaque material.
  - Do not cover with finger because light traveling through fingers may be great enough to keep the switch open.
  - Test will take approximately 2 minutes.
- \* Operation of this switch is not affected by weather, moisture or temperature changes.



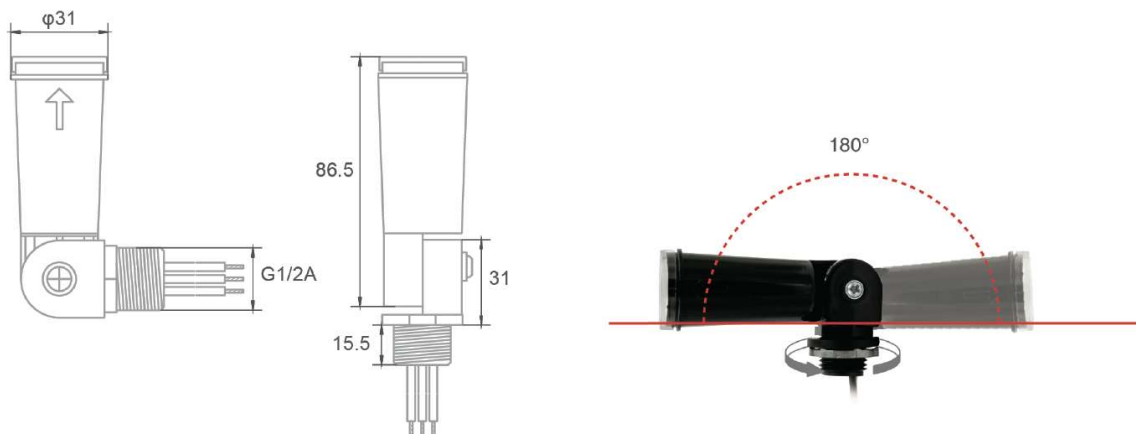
## Product Summary

This photo cell is applicable to control the passage lighting and doorway lighting automatically in accordance with the ambient lighting level.

This product is designed on the basis of electrical heating structure that provides time delay over 30 seconds to avoid redundant switching against spotlight or lightning during the night time. A temperature compensator system provides consistent performance regardless of the ambient temperature.

It has a gathered swivel with the sensor/switch body for convenient direction adjustment after installation.




This product is certified to the Standard for Non-industrial Photocontrol for Lighting Control UL773A and applicable Canadian Standards.



## Features

- Rated Voltage 347VAC
- Time Delay 20~120s
- Ambient Temperature: -40°C ~ +70°C
- Swivel integrated
- Screw Thread (NPT 1/2") & Zinc Alloy Nut
- UV stabilized PC enclosure

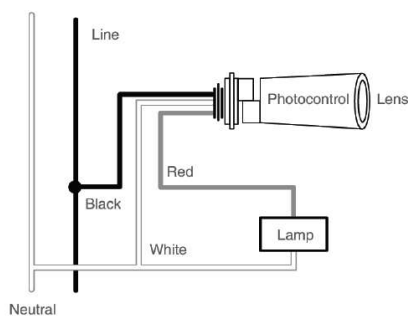
## Specifications

Rated Frequency	50/60Hz
Rated Loading	1800W Tungsten/1100VA Ballast
Power Consumption	1.5W Max.
Operate Levels	10~20Lx Turn-On / 30~60Lx Turn-Off
Ambient Temperature	-40°C ~ +70°C
Related Humidity	96%
Failure Mode	Fail-On
Lead Wire	AWG#16,AWM3321 4" min
Certifications	  

## Installation

Disconnect power, place screw thread of the SWITCH in knockout hole and fasten with rubber gasket and Zinc alloylock-nut.

Wire according to the diagram:



Do not install the switch with the Photocell facing artificial or reflected light. This will cause the unit to cycle on and off at night.